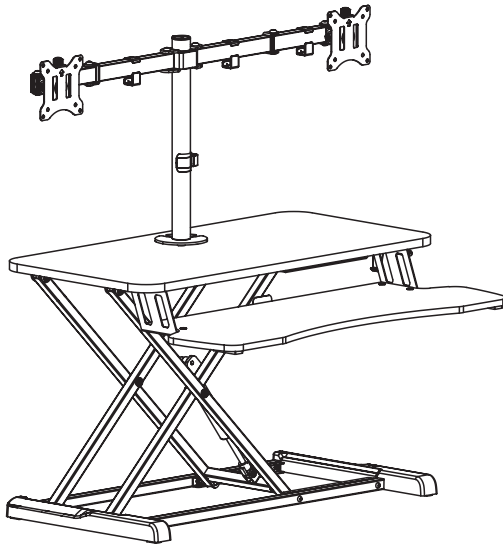




Black Desk Riser with Dual Monitor Mount

Instruction Manual



SKU: DESK-V000K-M2



Scan the QR code with your mobile device or follow the link for helpful videos and specifications related to this product.

<https://vivo-us.com/products/desk-v000k-m2>

GET IN TOUCH | Monday-Friday from 7:00am-7:00pm CST



help@vivo-us.com



www.vivo-us.com
Chat live with an agent!



309-278-5303

WARNING!

If you do not understand these directions, or if you have any doubts about the safety of the installation, please call a qualified technician. Check carefully to make sure there are no missing or defective parts. Improper installation may cause damage or serious injury. Do not use this product for any purpose that is not explicitly specified in this manual. Do not exceed weight capacity. We cannot be liable for damage or injury caused by improper mounting, incorrect assembly or inappropriate use.

TIPOVER WARNING

SERIOUS OR FATAL CRUSHING INJURIES CAN OCCUR FROM TIPOVER. TO HELP PREVENT TIPOVER:


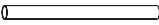








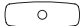














- NEVER ALLOW CHILDREN TO CLIMB, STAND, HANG, OR PLAY ON ANY PART OF MONITOR OR STAND.
- USE TIPOVER RESTRAINT OR ANCHOR STAND TO WALL

USE OF TIPOVER RESTRAINTS MAY ONLY REDUCE, BUT NOT ELIMINATE RISK OF TIPOVER.

WARNING: CHOKING HAZARD

SMALL PARTS - NOT FOR CHILDREN UNDER 3 YEARS. ADULT SUPERVISION IS REQUIRED.

PACKAGE CONTENTS

					
A (x1) Arm	B (x1) Pole	C (x2) VESA Plate	D (x1) Pole Cable Clip	E (x4) Arm Cable Clip	
					
F (x1) Pole Cap	G (x2) M3x8	H (x2) Knob	I (x1) Stand Base	J (x1) Hand Bolt	
					
K (x1) Support Plate	L (x5) Rubber Pad	M (x1) 6mm Allen Wrench	N (x1) Desk		
					
O (x1) Keyboard Tray	P (x2) Cable Clip	Q (x3) Pad	R (x4) Sleeve Nut with Bolt	S (x4) Rubber Foot	
					
M-A (x8) M4x12	M-B (x8) M4x16	M-C (x8) M5x12	M-D (x8) M5x16	M-E (x8) D5 Washer	M-F (x8) Spacer

NOTE: SOME HARDWARE INCLUDED MAY NOT BE USED

TOOLS NEEDED



DO NOT EXCEED WEIGHT CAPACITY.

Failure to do so may result in serious injury.



PER SCREEN



DESKTOP

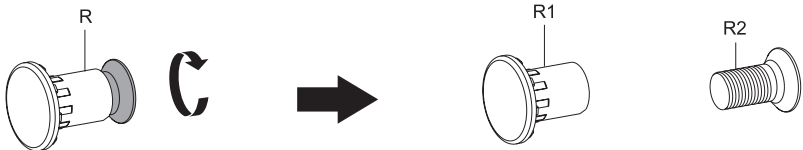


KEYBOARD TRAY

ASSEMBLY STEPS

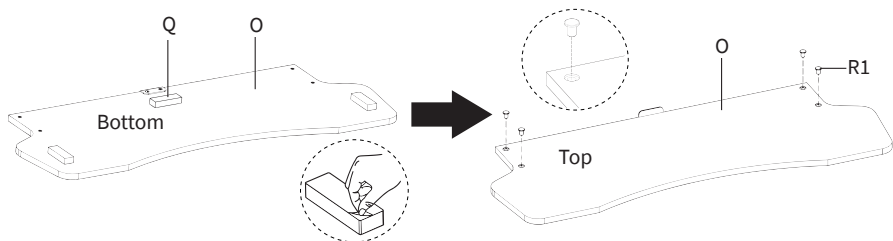
STEP 1

Separate the sleeve nut w/ bolt (**R**) into R1 and R2.



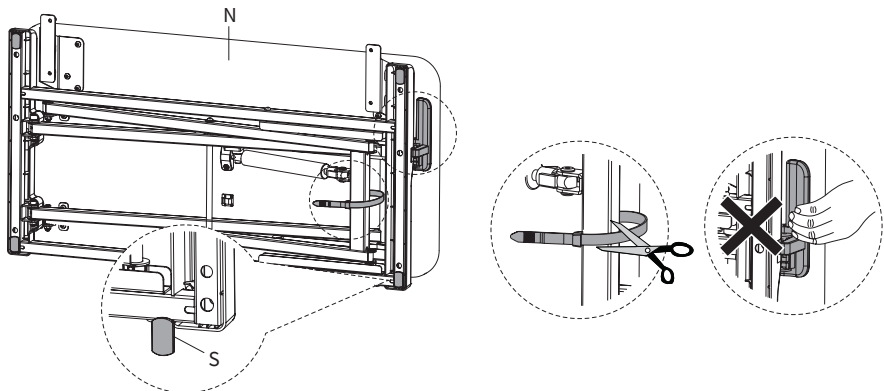
STEP 2

Apply pads (**Q**) to underside of keyboard tray. Press R1 into holes on top of keyboard tray (**O**).



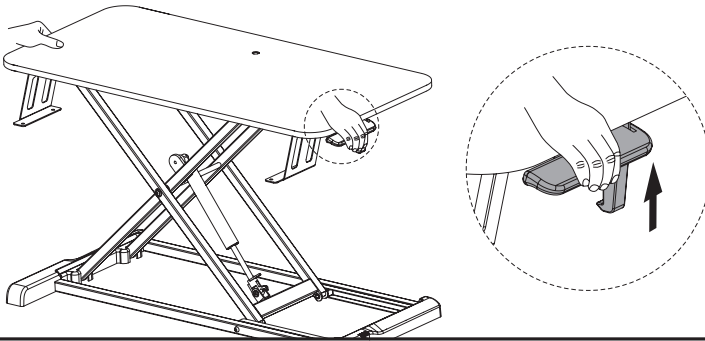
STEP 3

Install the rubber feet (**S**) to the base of the desk. Cut the large plastic tie beneath desk (**N**).



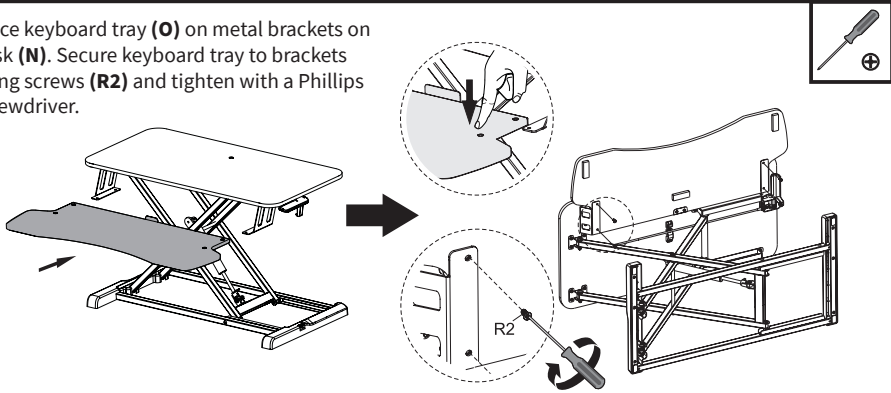
STEP 4

Raise the desk by squeezing the handles underneath the desk.



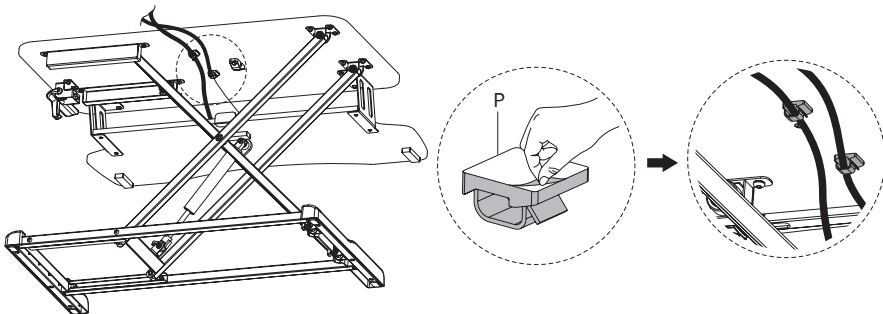
STEP 5

Place keyboard tray (O) on metal brackets on desk (N). Secure keyboard tray to brackets using screws (R2) and tighten with a Phillips screwdriver.



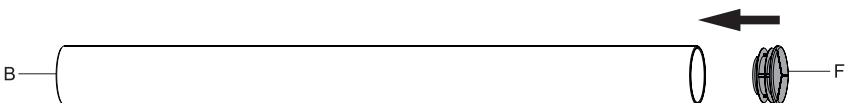
STEP 6

Apply cable clips (P) to underside of desk.



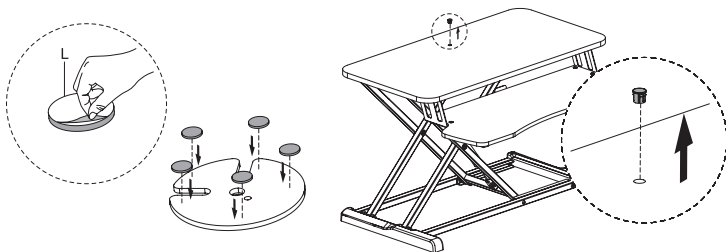
STEP 7

Attach pole cap (F) to the top of the pole (B).



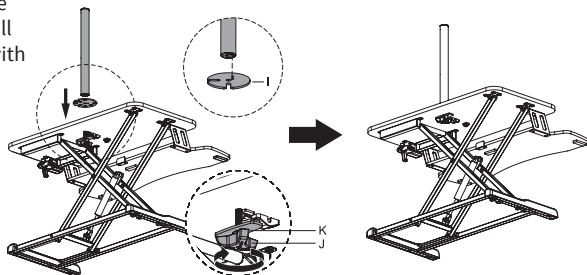
STEP 8

Apply rubber pads (**L**) to underside of stand base. Remove plug from desk surface (**N**).



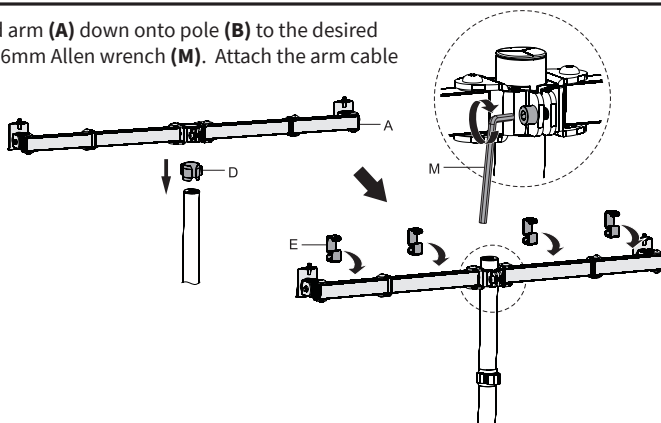
STEP 9

Position the pole (**B**) with stand base (**I**) over the grommet hole, and install to desktop using the hand bolt (**J**) with support plate (**K**).



STEP 10

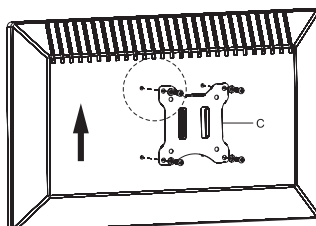
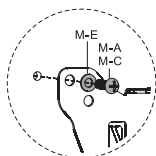
Slide pole cable clip (**D**) and arm (**A**) down onto pole (**B**) to the desired height and tighten with the 6mm Allen wrench (**M**). Attach the arm cable clips (**E**) to the arms.



STEP 11

OPTION A: Flat Back Monitor

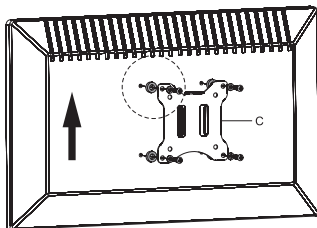
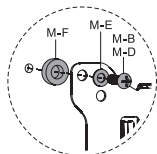
Install the VESA plates (**C**) to monitors using bolts (**M-A** or **M-C**) and washers (**M-E**).



STEP 11 (Continued)

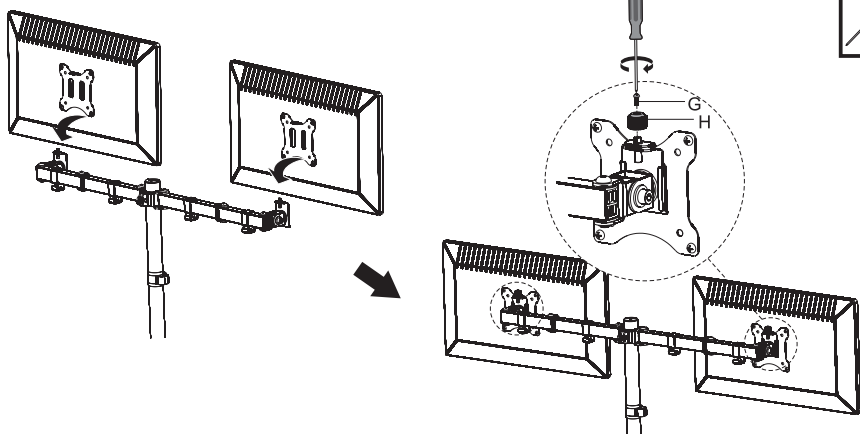
OPTION B: Curved / Recessed Back Monitor

Install the VESA plates (C) to monitors using bolts (M-B or M-D), washers (M-E) and spacers (M-F).



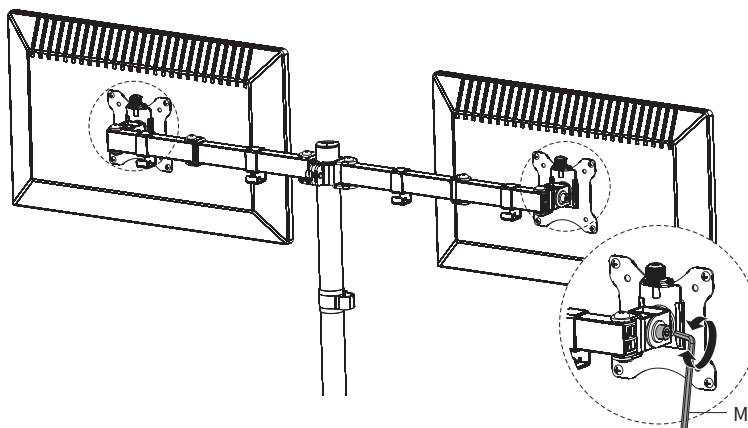
STEP 12

Slide the VESA plates (C) with monitors onto the arms (A). Secure using the knobs (H) with M3x8 bolts (G).



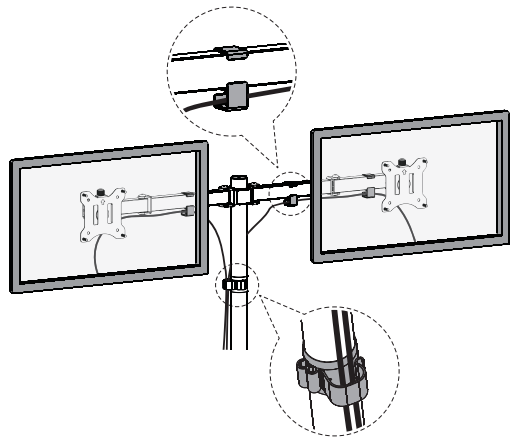
STEP 13

If needed, adjust tilt joint support using the 6mm Allen wrench (M).



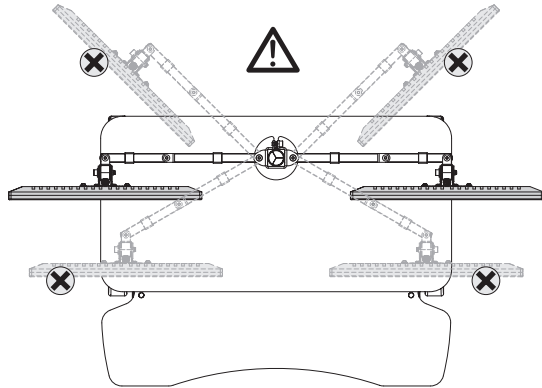
STEP 14

Use the cable clips (**D**, **E**) to organize cables.



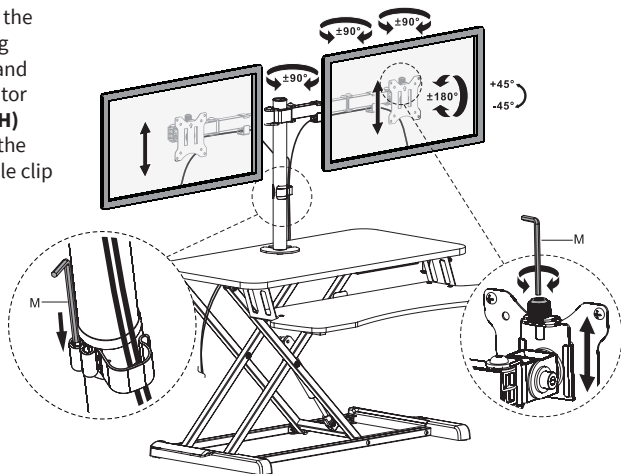
STEP 15

CAUTION: To prevent tipping, please be careful not to extend the arms too far forward or backward.



STEP 16

Adjust desk height by squeezing the handle and pulling up or pushing down. Adjust monitor position and rotation as desired. Adjust monitor alignment by turning the knob (**H**) over each VESA plate (**C**). Store the Allen wrench (**M**) in the pole cable clip (**D**) when not in use.





Open **Monday - Friday 7:00am - 7:00pm** CST,
our dedicated support team can offer immediate assistance with rapid response times. If any parts are received damaged or defective, please contact us. We are happy to replace parts to ensure you have a fully functioning product.



309-278-5303

AVG. RESOLUTION TIME (*within office hrs*): **5M 4S**



www.vivo-us.com
Chat live with an agent!

AVG. RESOLUTION TIME (*within office hrs*): **< 15 M**



help@vivo-us.com

AVG. RESPONSE TIME (*within office hrs*): **1HR 8M**

- 23% within < 15m
- 38% within < 30m
- 61% within < 1hr
- 83% within < 2hr
- 92% within < 3hr